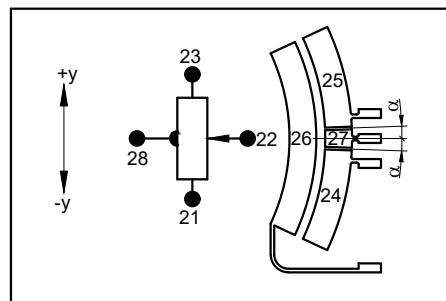
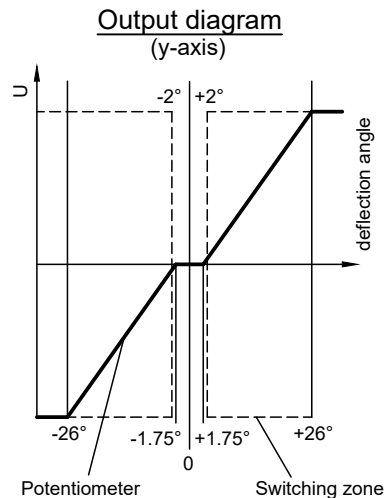
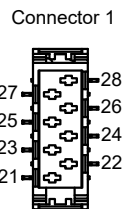
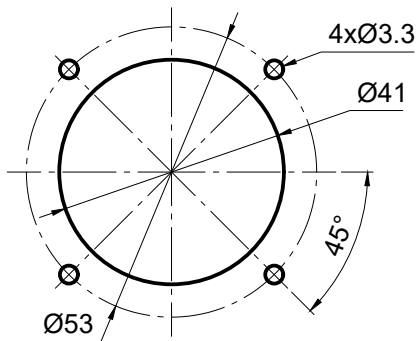


**Pin assignment**



**Panel mounting holes**



Description	
Joystick Type SK 197-0120	
Number of axes	1-axis, y-axis
Operation by	Rubber bellow
Connector	Micro-Match, Female-on-Board Connector 2x 8-poles: P/N: 338069-8
Cross guidance	soft
Center tab	±1.75°
Retaining spring	Middle, P/N: 60-112.03
Switch function	1-1-1
Switchpoint α	±2°
Mechanical detents	none

Electrical characteristics					
Resistance value	5 kOhm ± 20%				
Power dissipation	0.2 Watt at 40°C per axis				
Contact rating	Zero potential difference between segments 5 V DC, 5mA				
Operating voltage	30V DC max.				
Axes	Potentiometer	Switch function			
	Direction	Colour/number	Center tab	Joystick in mid-position	
x-axis	↑ +x	23	28	25	open
	Wiper	22		26	27
	↓ -x	21		24	open

		Maßstab 1:1 Position - Menge -	
All dimensions in mm			
Datum Name Bearb. 22.10.22 Kiener M. Gepr. 05.03.24 VO		<b>Joystick</b>	
joysticks + sensors Erlenstrasse 32 CH-2555 Brüttig Switzerland +41 32 652 33 30 info@gjjoysticks.ch www.gjjoysticks.ch		<b>197-0120</b>	
Blatt	-		
Bl	-		
Idx	Änderungen	Datum	B'arb. Gepr.
S:\Entwicklung\01_CAD-Daten\02_DWG\Dwg_SK197\Typenzeichnungen\197-0120.dwg			