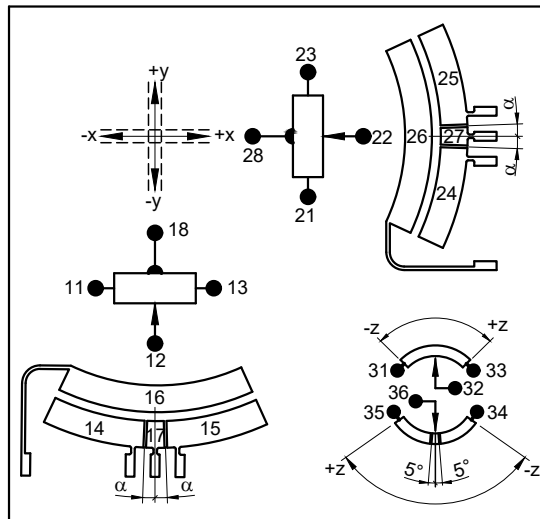
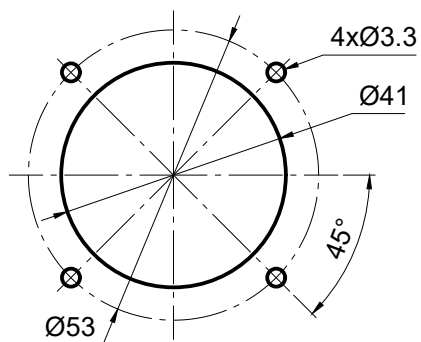
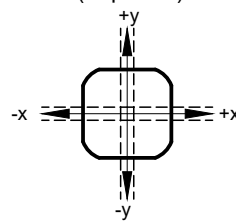


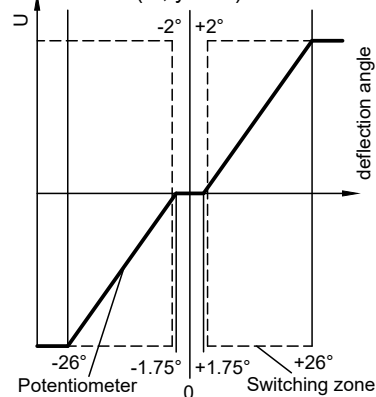
Panel mounting holes



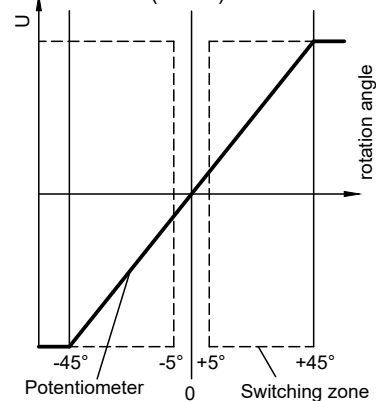
Gate (Top view)



Output diagram (x-, y-axis)

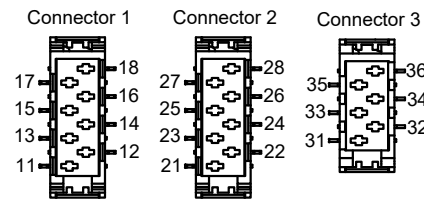


Output diagram (z-axis)



Description					
Joystick Type SK 197-0122					
Number of axes	3-axes, x-, y-, z-axis				
Operation by	Winter twist handle				
Connector	Micro-Match, Female-on-Board Connector 2x 8-poles: P/N: 338069-8 1x 6-poles: P/N: 338069-6				
Cross guidance	soft				
Center tab	±1.75°				
Retaining spring	Middle, P/N: 60-112.03				
Switch function	1-1-1 per axis				
Switchpoint α	±2°				
Mechanical detents	none				
Electrical characteristics					
Resistance value	5 kOhm ± 20%				
Power dissipation	0.2 Watt at 40°C per axis				
Contact rating	Zero potential difference between segments 5 V DC, 5mA				
Operating voltage	30V DC max.				
Axes		Potentiometer		Switch function	
	Direction	Colour/number	Center tab	Joystick in mid-position	
x-axis	↑ +x	13		15	open
	Wiper	12	18	16	17
	↓ -x	11		14	open
y-axis	↑ +y	23		25	open
	Wiper	22	28	26	27
	↓ -y	21		24	open
z-axis	+z	33		35	open
	Wiper	32		36	
	↓ -z	31		34	open

Pin assignment



Maßstab 1:1		Position - Menge -	
All dimensions in mm			
Datum		Name	
Bearb.	21.10.22	Kiener M.	
Gepr.	11.10.23	SEB	
joysticks + sensors			
Erlenstrasse 32 CH-2555 Brügg Switzerland +41 32 652 33 30 info@gjjoysticks.ch www.gjjoysticks.ch			
b	AEN-24-024	11.12.24	DM
a	AEN-24-010	25.04.24	MK FDM
Idx	Änderungen	Datum	B'arb. Gepr.
S:\Entwicklung\01_CAD-Daten\02_DWG\DWG_SK197\Typenzeichnungen\197-0122b.dwg		Blatt -	
197-0122b			Bl