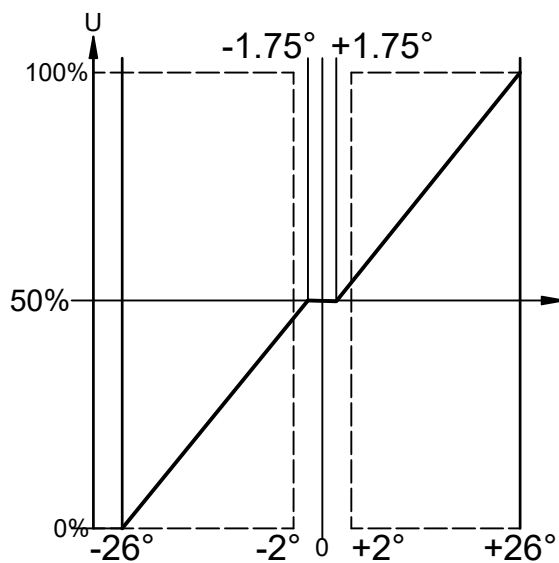
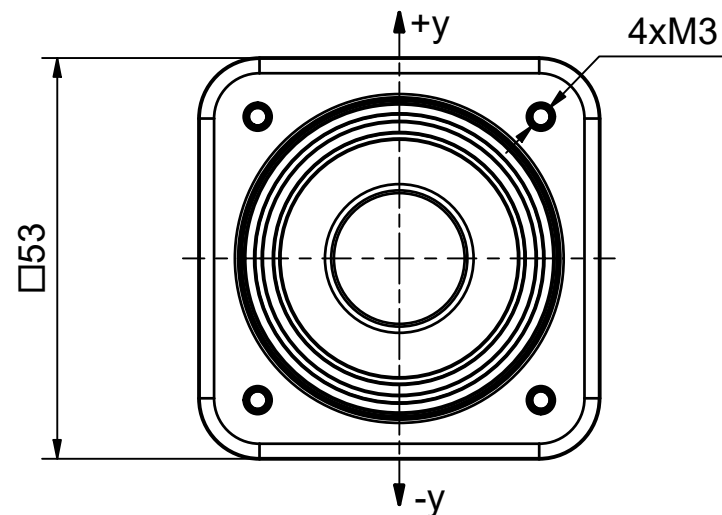
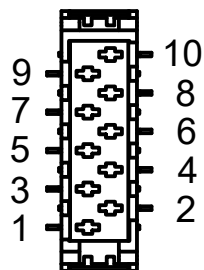


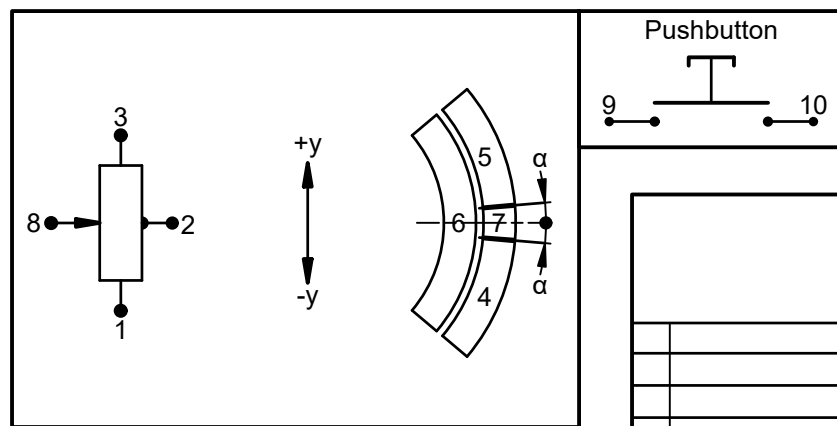
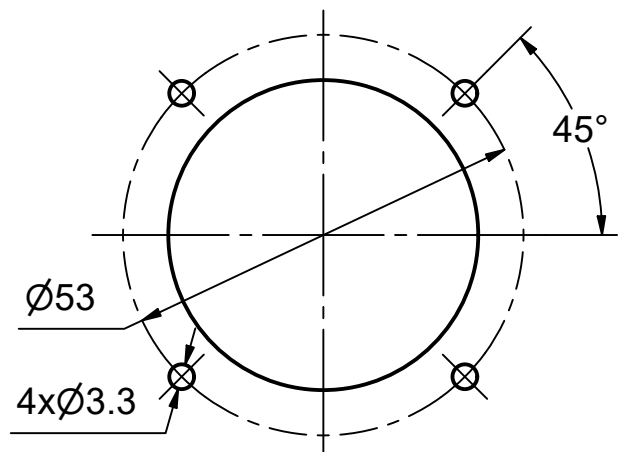
Output diagram (y-axis)



Pin assignment connector 1



Panel mounting holes



**Description**  
**Joystick type SK 197-0161**

Number of axes	1-axes, y-axis
Operation by	Rubber bellow with integrated pushbutton
Cross guidance	none
Retaining spring	Middle, P/N: 60-112.03
Center tab	±1.75°
Switch function	1-1-1
Switchpoint α	±2°
Connector	Micro-Match, 10-poles, P/N: 1-338069-0

**Electrical characteristics**

Operating voltage	30 V DC
Sensor	Conductive plastic
Contact rating	Zero potential difference between segments 5 V DC, 5mA
Resistance value	5 kOhm ±20%

**Pin connector**

1	GND
2	y-axis wiper
3	V+
4	y-axis switch -
5	y-axis switch +
6	y-axis switch common
7	y-axis switch neutral position
8	y-axis center tap
9	Pushbutton common
10	Pushbutton output

Oberfläche:



Masstab: 1:1

Position: Menge:

All dimensions in mm

Datum	Name
Bearb. 03.06.24	Kiener M.
Geprü. 19.06.24	IL

**Joystick**



**197-0161**

Blatt  
1  
1 Bl