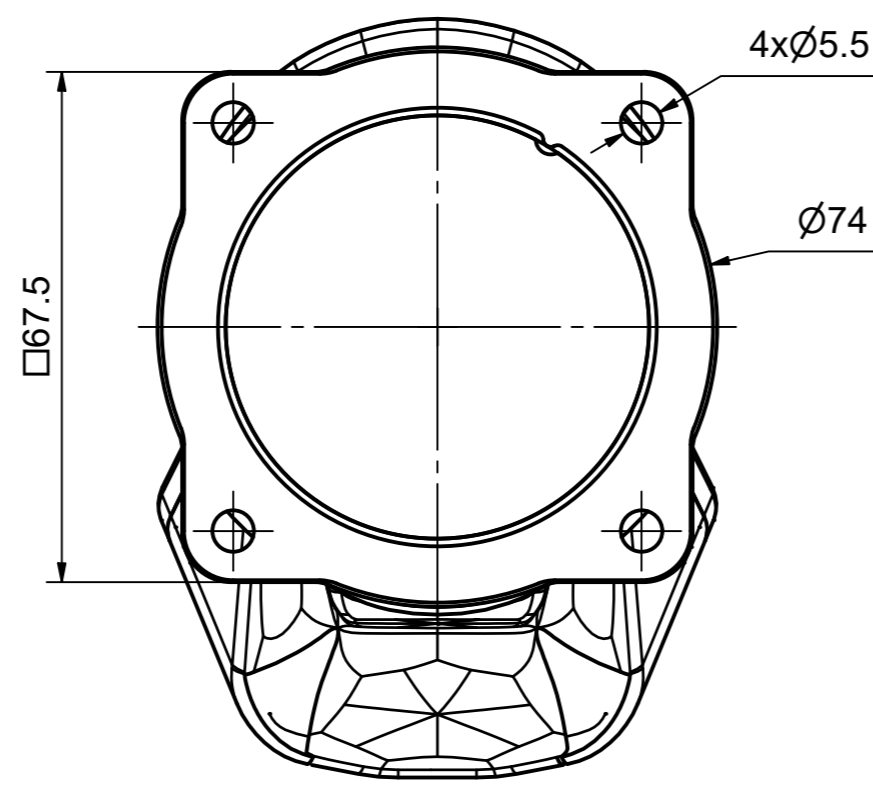
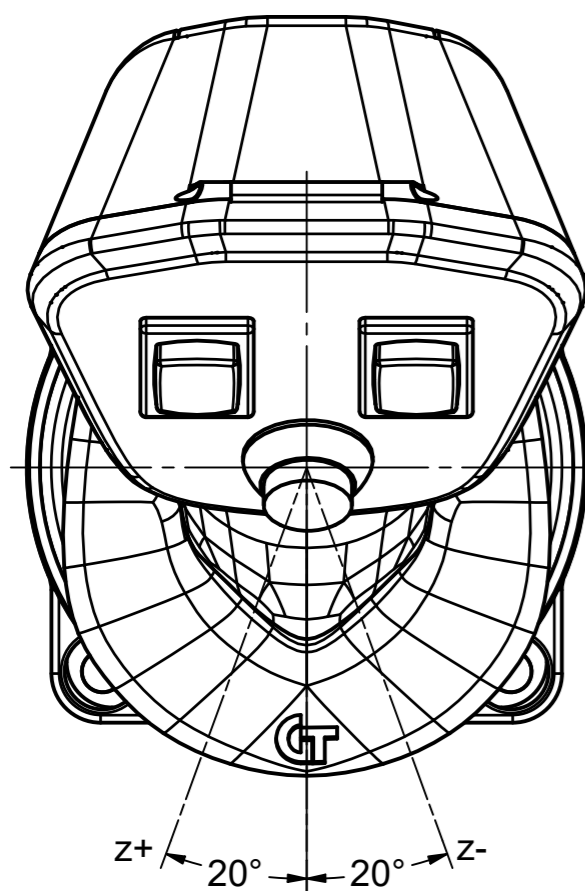
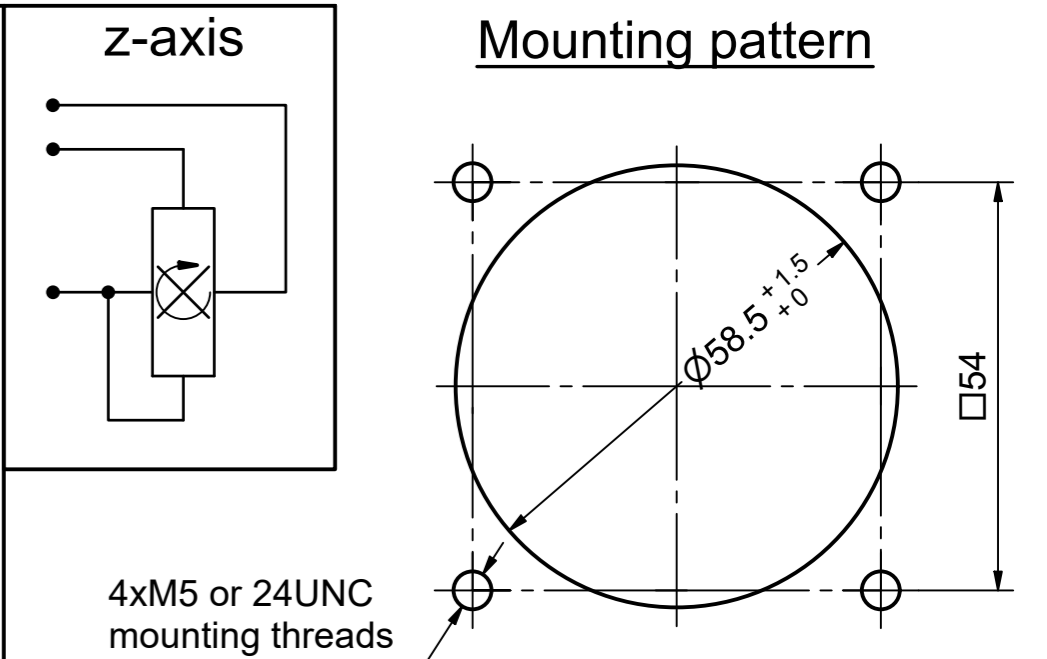
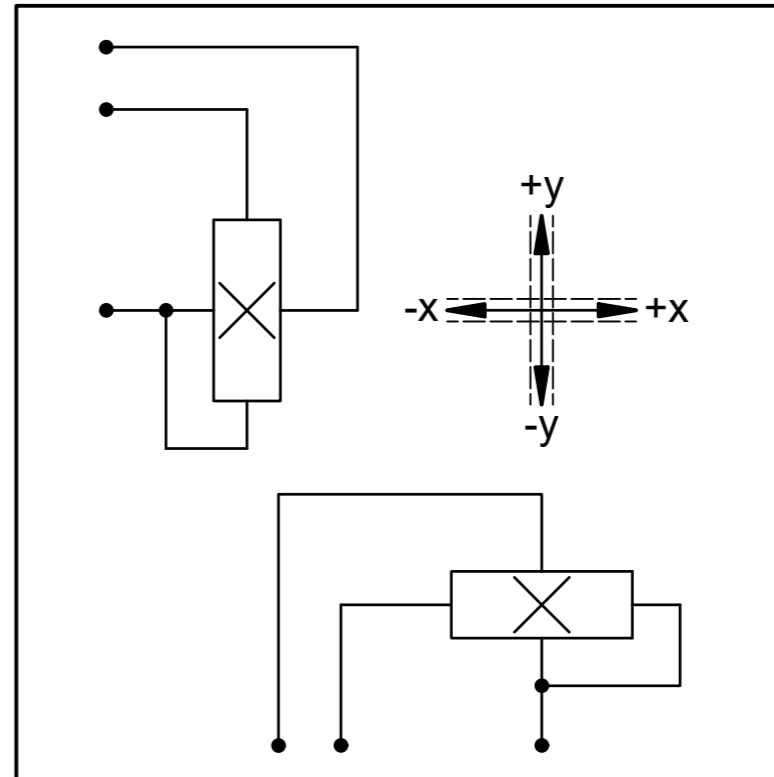


Bottom view ↑

Bottom view



Description	
Joystick type SK 212-0117	
Number of axes	3-axes, x-, y-, z-axis
Operation by	Multifunction handle
Cross guidance	soft
Retaining spring	normal, P/N : 200385
Connector	Wires, 500mm, AWG 20
Electrical characteristics	
Operating voltage	8-36 V DC
Sensor	Hall effect technology
Safety applications	Safety relevant applications may need special features not described in this sheet
Pin	
1	Red GND
2	Black VCC
3	Yellow CAN_H
4	Green CAN_L
Parameters	
Data communication	J1939
CAN ID	1
Baudrate	250 kbit/s



The numbers next to the components are equal to the value in the CAN message

Preliminary		Oberfläche:	Blatt
25.06.24			1
Datum	Name	Masstab: 1:1	Position: Menge:
Bearb. 12.06.24	Kiener M.	Joystick	
Geprü.		212-0117	
 joysticks + sensors Erlenstrasse 32 CH-2555 Brügg Switzerland +41 52 652 33 90 info@gtjoysticks.ch www.gtjoysticks.ch		Blatt	
		1 Bl	
Idx	Änderungen	Datum	B'arb. Geprü.
			S:\Entwicklung\01_CAD-Daten\01_AIDATA-GT\1_1_Joysticks\SK212\Zusammenstellungen\212-0117.idw