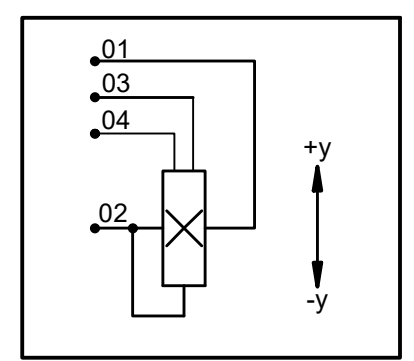
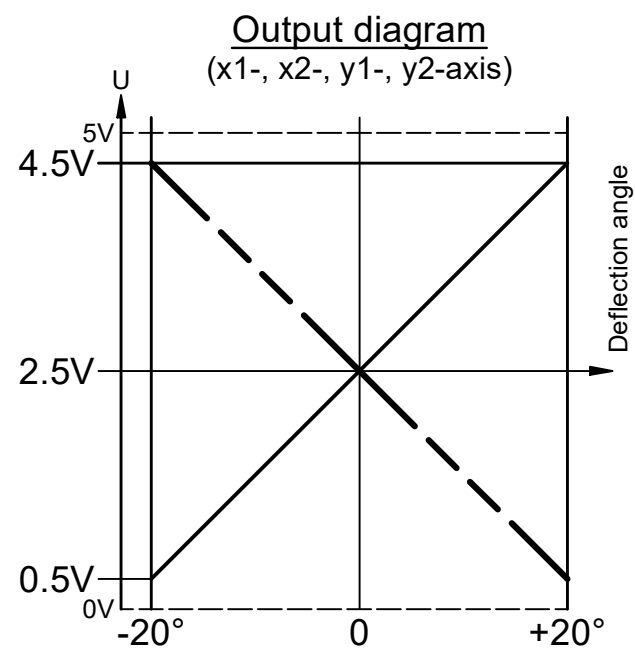


Description	
Joystick type SK 60-01369	
Number of axes	1-axis, y-axis
Operation by	Rubber bellow
Cross guidance	none
Switch function	none
Retaining spring	strong, Z-Nr. 50-116
Connector	Deutsch DTM04-4P (100604)
Electrical characteristics	
Operating voltage	5 V DC
Sensor	Hall effect technology
Pin	
01	white Supply voltage 5 V DC
02	brown Ground
03	green y (-y=0.5V, middle=2.5V, +y=4.5V)
04	yellow y (-y=4.5V, middle=2.5V, +y=0.5V)



Oberfläche:		Masstab: 1:1	Position:	Menge:
All dimensions in mm				
Datum		Name		
Bearb.	06.09.24	jub		
Geprü.	12.09.24	VO		
joysticks + sensors		Blatt		
Erlenstrasse 32		1		
CH-2555 Brügg		1 Bl		
Switzerland		60-01369		
+41 32 652 33 30				
info@gjosticks.ch				
www.gjosticks.ch				
Idx	Änderungen	Datum	B'arb.	Gepr.
S:\Entwicklung\01_CAD-Daten\01_AIDATA-GT\1_1_Joysticks\SK60\Zusammenstellungen\60-01369.idw				