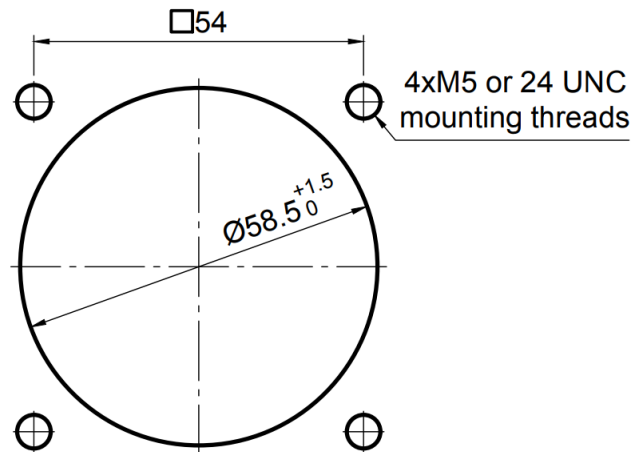


## SK212 Series

### Top mounted joystick



Exploded view of top mounted joystick



Customer's panel mounting cut-out. M5 or 24 UNC screws are required for mounting. Screw length depends on panel thickness. All panel cut-outs should be free from sharp edges that may damage the bellows and flat surface (plain). Important for sealing. Blind holes are required for a sealed solution. Without respecting these requirements GT Joysticks AG cannot give warranty.