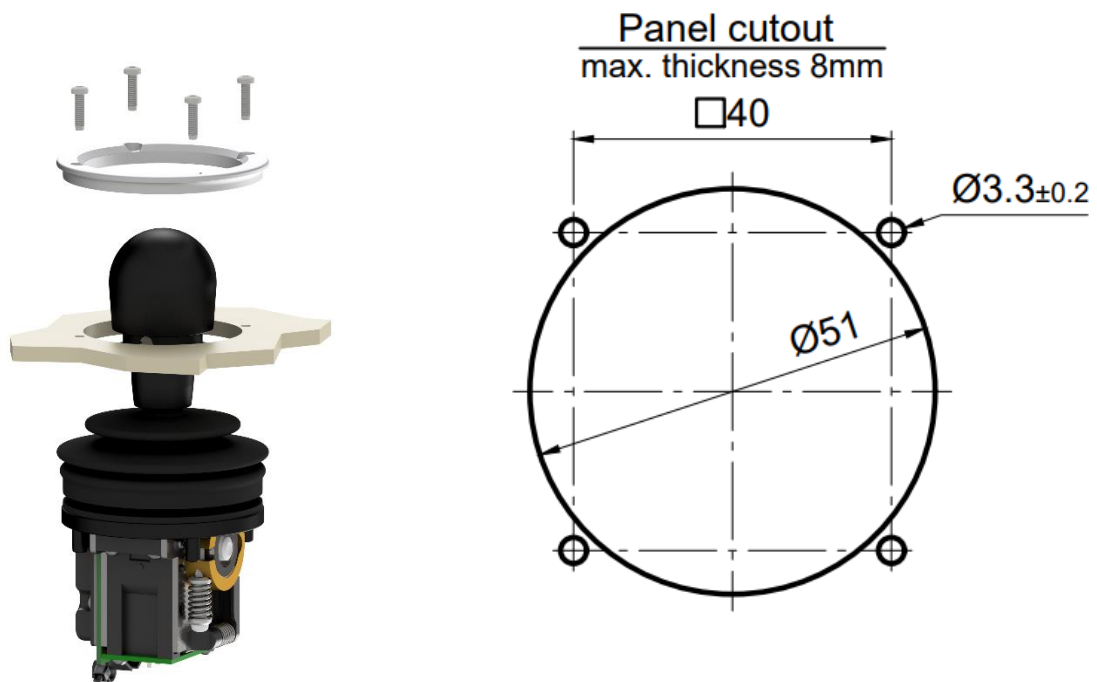


SK216 Series

Bottom mounted joystick



Exploded view of top mounted joystick

Customer's panel mounting cut-out. K30 (Length 20mm for panel thickness of 5mm) screws are required for mounting, with a torque of 0.8Nm. The screw length depends on the panel thickness and can also influence the required mounting torque. All panel cut-outs should be free from sharp edges that may damage the bellows and flat surface (plain). Important for sealing. Blind holes are required for a sealed solution. Without respecting these requirements GT Joysticks AG cannot give warranty.